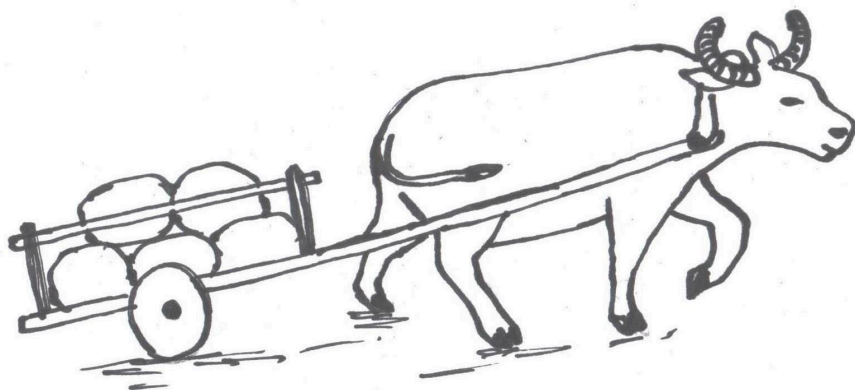


01 Dòn heh ngóx kah cawt



01 Dòn heh ngóx kah cawt

Author : Sam Long

Illustrator : Sai Rong

Language : En

Edition : 1st edition

Date : September, 2023

'Cào tiem: Sara Sámlong

Cào tiem Phung: Sara Sai Róng

Kàh puah: Kàh Vax

Lai pawk còx: Num kàw lèu tiem yaox

Ngaix: Cíx dìm kalá 2023

En

Myanmar



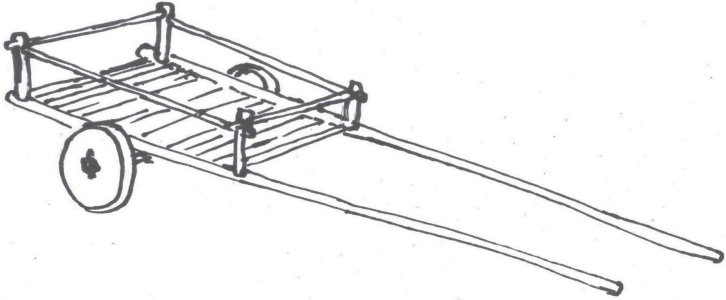
Local



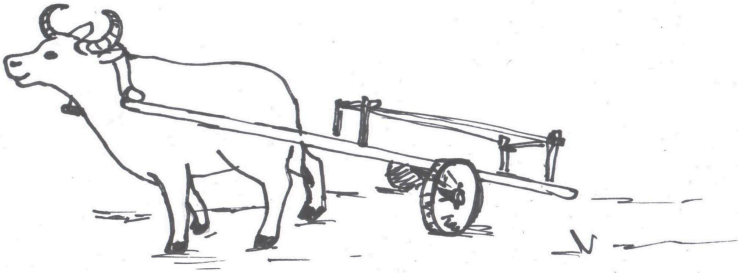
<http://creativecommons.org/licenses/by/4.0/>

You are free to make commercial use of this work. You may adapt and add to this work. You must keep the copyright and credits for authors, illustrators, etc.

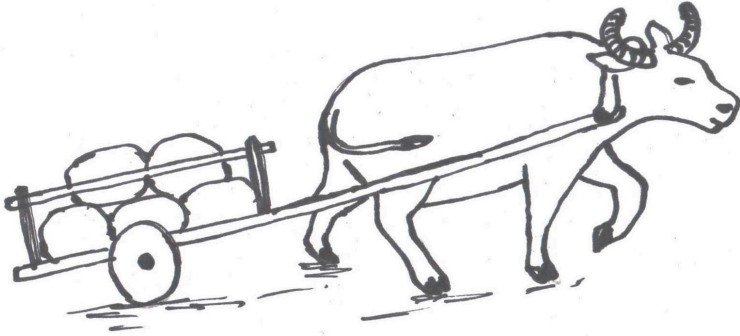
<http://localhost:8089/bloom/bookEdit/img/cogGrey.svg>



Num blèue dòn heh ngóx kah
cawt.



Cawt, èx cáng lui kah kràk.



Dòn heh ngóx kah cawt pawk nái
phúan táwng.



Gaix án, èx cáng ìng sáee nawng
ngáeeh dìeh.



Háwiek sáee hèn nawng ngáeeh,
èx cáng tàeeh kah bò.



Háwiek tàeeh hèn, èx cáng
kreum kah mom.



Háwiek kreum hèn, èx cáng kùh
lieh prax dìeh.

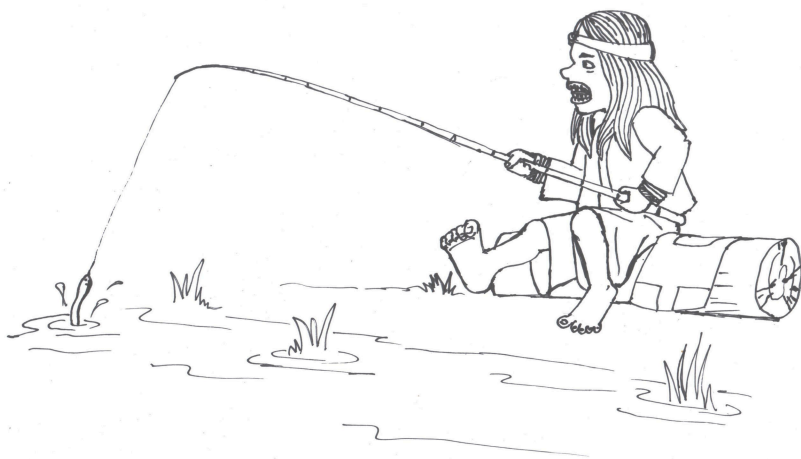
Leung Ài Pawk táong kàx



Ài Pawk pén mèt, lien hú táong kàx.



Ài Pawk hú táong mèt, cáng sé
krìx payén.



Thang heun mawh sùing cáng
graeeng kah.



Cáng nyan, mie tà mawh biax
mawh payén, cáng teek mon póm
kah.



Teek yax mawh payén, cáng tix,
pèn ìng brie lieh prax dìeh.

Leung Nyi Gawk káong kang



Nyi Gawk pén káw, lien hú kàong kang.



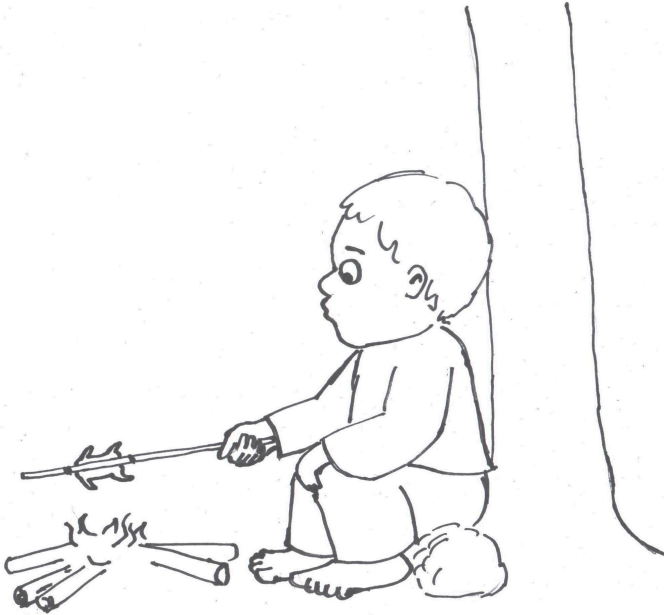
Nyi Gawk tix kang, cǎng sé cat
tàix lieh.



Án nyam, cáng píeh táwk ngawk
heun dìeh.



Gaix án, cáng reuek háeek kang
cáng teh saee kah.



Gaix án, cáng tùang lieh prax
grèum peue káox ting.



Háwiek prax niex kang lieh, cǎng
teh èt grèum peue káox dìeh.

This book was created with Bloom Enterprise features freely enabled in order to support projects funded by the local community.

